



ARIF
AL-NAHDI
CO.LTD.



This chapter contain all Information related
to Fire cabinet of all types.

Chapter10

FIRE CABINET



info@anc.sa



www.anc.sa

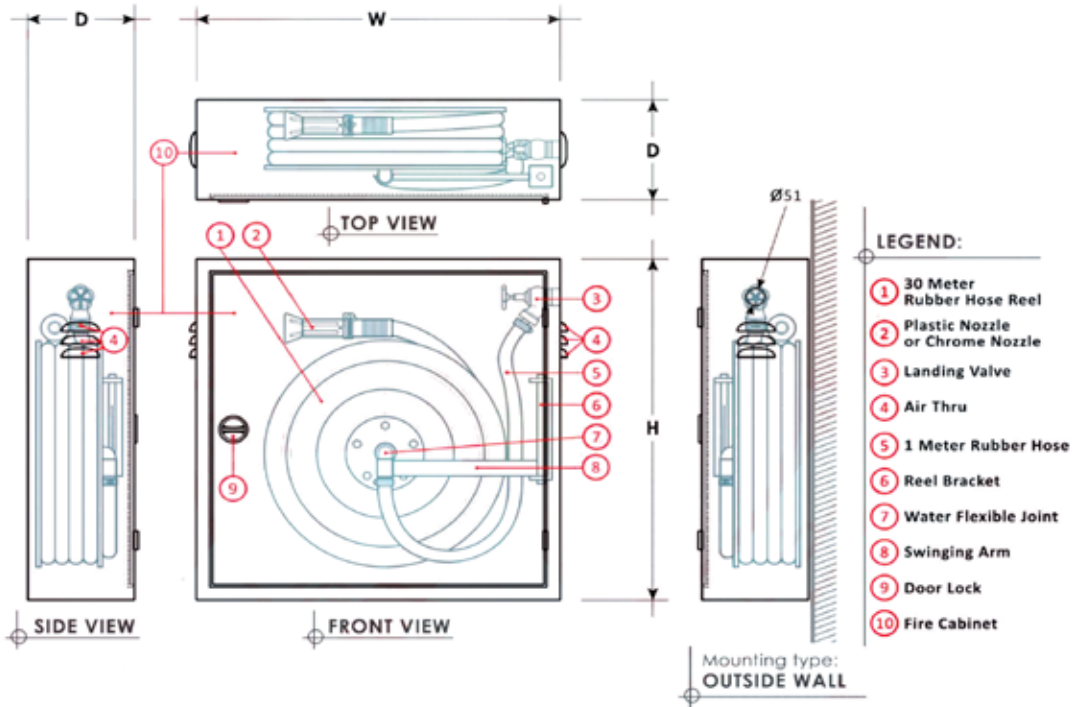


Fire Hose Reel Cabinet Outside Wall

DESCRIPTION

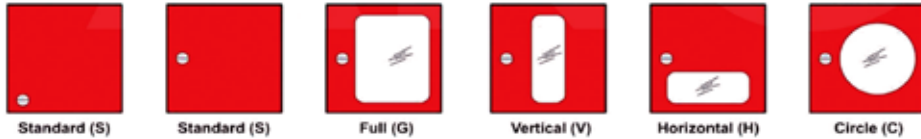
A fire hose reel cabinet made from steel or stainless-steel mirror or hairline finishing with different thickness 1-2 mm, the steal box is powder painted electrostatically and heated in 200 degree to guarantee rustproof, the cabinet is fixed on the wall and can be fitted with glass on the door. The cabinet contains a 30-meter rubber hose with 1-inch diameter and 1.5-inch valve to connect it with main source of water and a 1-inch nozzle plastic or chrome.

Materials and Dimensions



النموذج Model	مقاسات الصندوق (بالملمتر) Cabinet Dimensions (mm)		
	العرض Width	الإرتفاع Height	العمق Depth
KF-CRO-80	800	800	230

Door and Glass Type



الملحقات Accessories



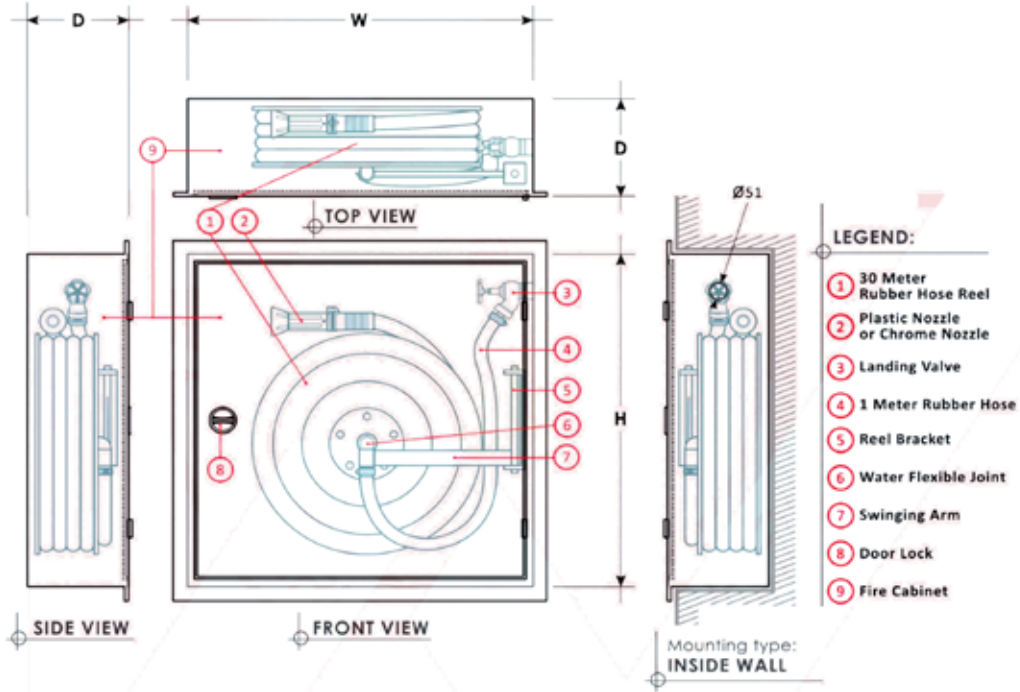


Fire Hose Reel Cabinet Inside Wall

DESCRIPTION

A fire hose reel cabinet made from steel or stainless-steel mirror or hairline finishing with different thickness 1-2 mm, the steal box is powder painted electrostatically and heated in 200 degree to guarantee rustproof, the cabinet is fixed inside the wall and can be fitted with glass on the door. The cabinet contains a 30-meter rubber hose with 1-inch diameter and 1.5-inch valve to connect it with main source of water and a 1-inch nozzle plastic or chrome.

Materials and Dimensions



النموذج Model	مقاسات الصندوق (بالملمتر) Cabinet Dimensions (mm)		
	العرض Width	الإرتفاع Height	العمق Depth
KF-CRI -80	800	800	230

Door and Glass Type



Standard (S)



Standard (S)



Full (G)



Vertical (V)



Horizontal (H)



Circle (C)

الملحقات Accessories



محبس مع نقاص
LANDING VALVE (1.5")



قاذف بلاستيكي
PLASTIC NOZZLE (1")



قاذف معدني
CHROME NOZZLE (1")



بكرة مع لي 30 متر
30 MTR HOSE REEL (1")

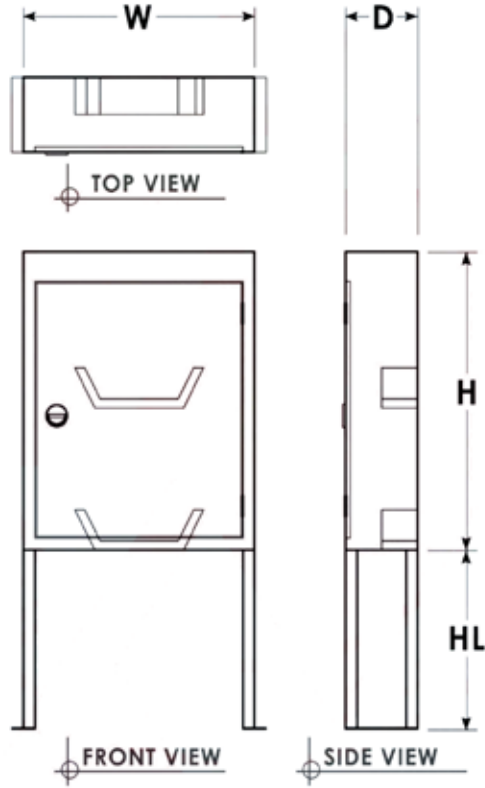


Fire Hydrant Cabinet

DESCRIPTION

A fire Hydrant Cabinet made from steel or stainless-steel mirror or hairline finishing with different thickness 1-2 mm, the steal box is powder painted electrostatically and heated in 200 degree to guarantee rustproof, the cabinet is fixed on ground. The cabinet contains a 30-meter synthetic hose with 1. or 2.5-inch diameter and 1.5 or 2.5-inch valve to connect it with main source of water and a 1.5 or 2.5-inch with different copper nozzles.

Materials and Dimensions



النموذج Model	مقاسات الصندوق (بالملمتر) Cabinet Dimensions (mm)			
	العرض Width	الإرتفاع Height	العمق Depth	ارتفاع الارجل Height of Legs
KF-CRO-100	800	1000	250	600
KF-SHO-100	800	1000	250	600
KF-SMO-100	800	1000	250	600

الملحقات Accessories



محبس ماء
LANDING VALVE
(1.5" OR 2.5")



قاذف نحاس صغير
BRASS WATER NOZZLE
(1.5" or 2.5")



قاذف نحاس طويل
COPPER NOZZLE
(1.5" or 2.5")



خرطوم كتان 30 متر
30 MTR SYNTHETIC
HOSE (1.5" or 2.5")

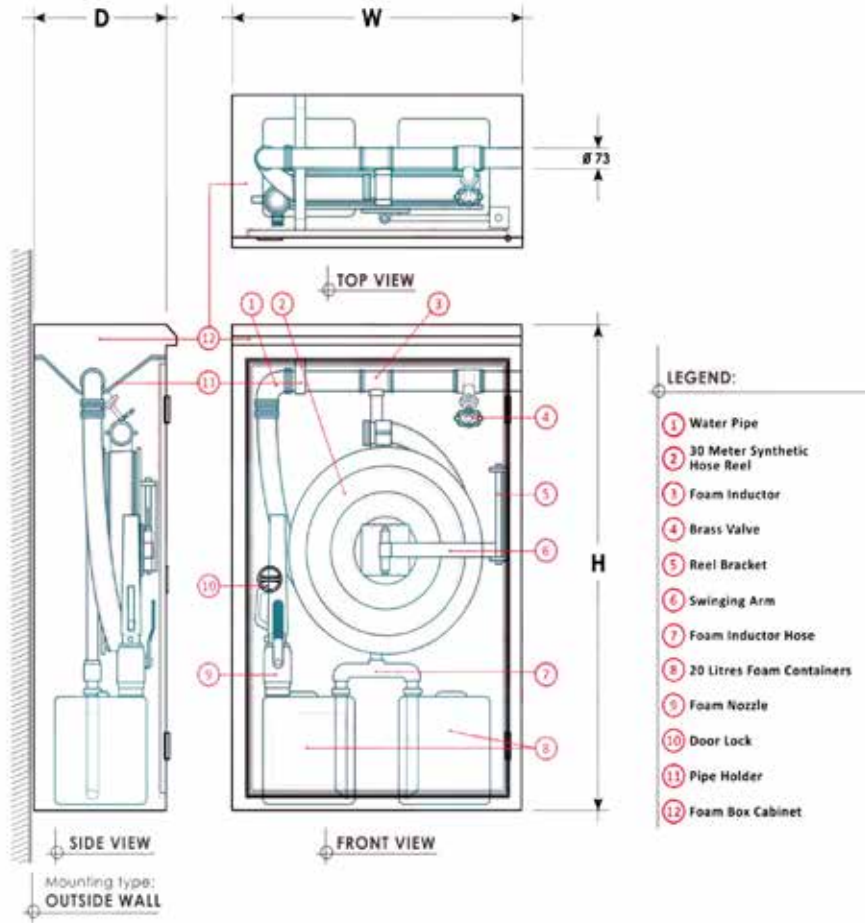


Foam Cabinet

DESCRIPTION

Foam Box is made from steel or stainless-steel hairline or mirror with various thickness ranging 1-2 mm. the steel box is powder painted electrostatically and heated in 200 degree to guarantee rustproof, the box is mounted on the wall. It contain hose reel with a diameter of 1.5-inch synthetic hose and 2-inch brass valve, also it contain a foam inductor to mix the water with the foam in fix ratio that can extinguish the fire , and a special nozzle with 20-metter range and 20-liter contain of 3% or 6% foam concentration.

Materials and Dimensions



النموذج Model	مقاسات الصندوق (بالملمتر) Cabinet Dimensions (mm)		
	العرض Width	الإرتفاع Height	العمق Depth
KF-CRO-700	700	1120	300
KF-SMO-700	700	1120	300
KF-SHO-700	700	1120	300

الملحقات Accessories



قاذف رغوي
Foam Nozzle (1.5")



بكرة كتان مع لي 30 متر
30 MTR SYNTHETIC HOSE REEL (1.5")